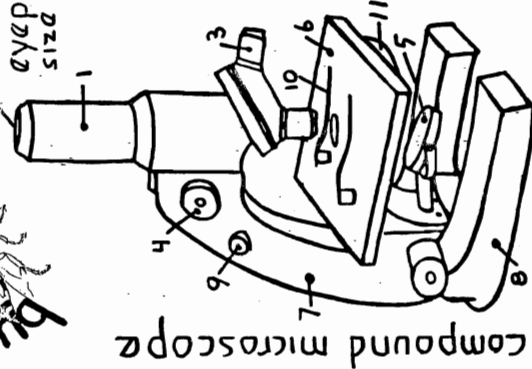


# make it 10x bigger

Standards 56a, 56b, 56d, 57a, 58b



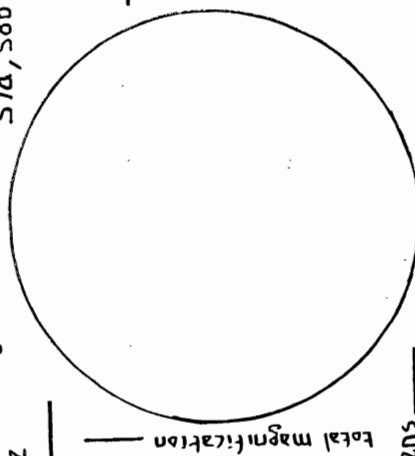
Our goal is to use the compound microscope to understand how we see the small/tiny things in our environment

- 1 \_\_\_\_\_
- 2 \_\_\_\_\_
- 3 \_\_\_\_\_
- 4 \_\_\_\_\_
- 5 \_\_\_\_\_
- 6 \_\_\_\_\_
- 7 \_\_\_\_\_
- 8 \_\_\_\_\_
- 9 \_\_\_\_\_
- 10 \_\_\_\_\_
- 11 \_\_\_\_\_



pages 230-231  
379 and 244-245

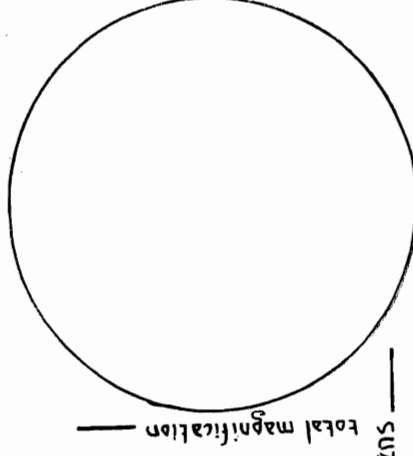
Sally



lots look at insects under a microscope

object \_\_\_\_\_

lens \_\_\_\_\_  
total magnification \_\_\_\_\_



object \_\_\_\_\_

lens \_\_\_\_\_  
total magnification \_\_\_\_\_

of your textbook will help you understand the microscope

look at an insect either on a real microscope or on the microscope images page of our  camp web site

medium power drawing

drawing at medium power  
high power drawing

draw the insect  
draw the same insect

draw the insect at low power

insect \_\_\_\_\_

drawing at high power

power \_\_\_\_\_

Sally