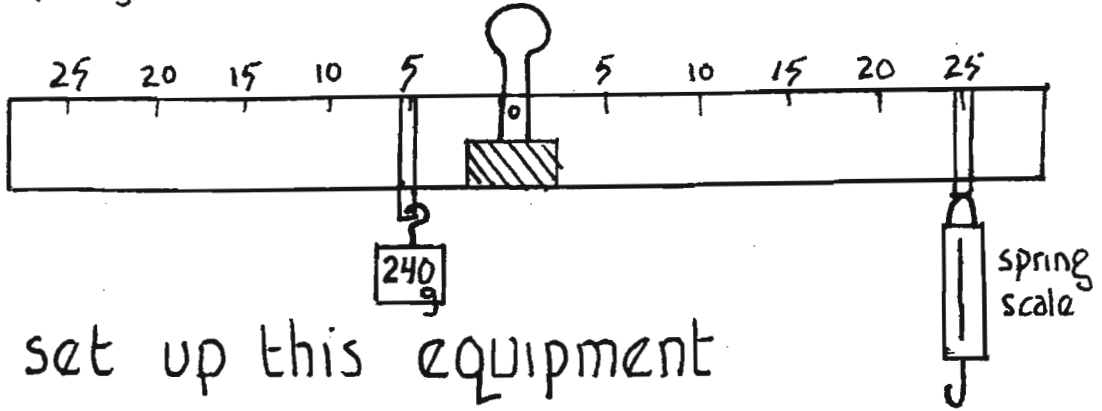


levers

Our goal is to notice that all objects on earth have mass and are pulled on by gravity. When using the spring scale we must remember it has its own mass.



set up this equipment

Describe what happens

why does this happen?

what problem do you see in your data if you use this scale to pull down on the lever?

How can you "fix" your data?